

esatto

This little Quick Start Guide is everything you need for your EPUR200UVW Air Purifier to remove pollutants and allergens —take a breath of fresh air!



Ready? Get set, cleanse the air! EPUR200W Air Purifier

Installation Steps

Before installing your new Air Purifier please ensure you have read all safety instructions in the user manual.

Installation

- 1 Remove the base plate
- 2 Take out the HEPA filter
- 3 Remove the protective film of the filter assembly
- 4 Install the HEPA filter
- 5 Install the base plate
- 6 Plug in adapter cable
- 7 Plug power supply

First Time Use

- 1 Remove the protective film of the filter assembly.
- 2 Install the filter
- 3 Power on for the first time, the display panel flashes for 1 second, and then the screen is turned off. The whole appliance is the standby state;
- 4 On/Standby: Press the On/Standby button
- 5 Operation: The purifier is powered on for the first time and then enters the Normal mode.

Get in Touch

Need help? Contact our friendly support team via the contact details below.

Phone / **1300 11 4357**

Email / support@residentiagroup.com.au

How was your esatto experience?

Share your story at esatto.house/review

Product Details

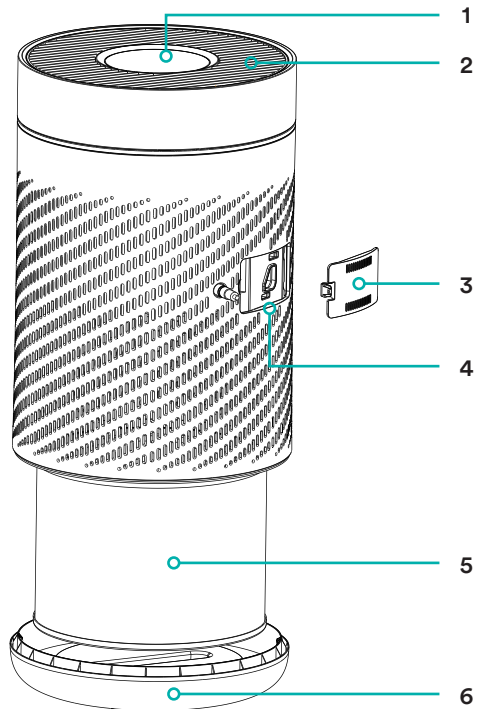
Dimensions (W, D, H mm) / **240 × 240 × 382**

Net Weight / **2.8kg**

Warranty / **2 Years**

Your Air Purifier

- 1 Operation panel/Display screen
- 2 Air outlet grille
- 3 Back cover plate
- 4 Adapter cable
- 5 HEPA filter
- 6 Base plate



For detailed instructions refer to your User Manual.

We're on Socials!

 @esatto.house  @esatto.house

www.esatto.house