

**esatto**

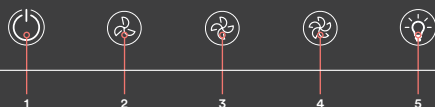
This little Quick Start Guide is everything you need to start capturing cooking odours & steam with your ERC903S 90cm Canopy Rangehood!



esatto

# Get ready to use your ERC903S 90cm Canopy Rangehood!

## The Controls



### 1 Power Button

Press this button to turn off the fan.

### 2 Low Fan Speed Button

Suitable for simmering and cooking without much steam.

### 3 Medium Fan Speed Button

Ideal fan speed for regular cooking.

### 4 High Fan Speed Button

Use this fan speed for heavy smoke or steam to achieve the maximum exhaust efficiency.

### 5 Light Button

Press this button to turn the light on and off.

For a complete guide on operating your rangehood, refer to user manual on page 13.

## Get in Touch

Need help? Contact our friendly support team via the contact details below.

Phone / 1300 11 4357

Email / [support@residentiagroup.com.au](mailto:support@residentiagroup.com.au)

## Product Details

Dimensions (W, D, H mm) / 900 x 500 x 638-1000

Extraction / 750m<sup>3</sup>/hr

Warranty / 2 Years

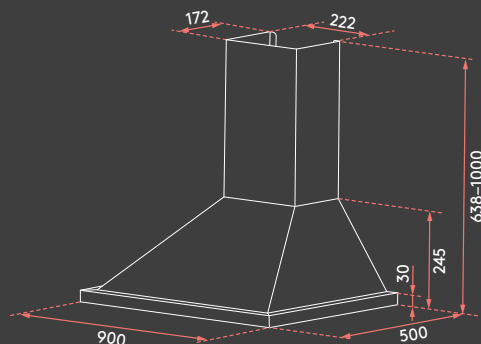
Register your Esatto product online for a free additional year [esatto.house/warranty](http://esatto.house/warranty)

## Installation & First Use

Before installing your new 90cm Canopy Rangehood, please ensure you have read all safety instructions in the user manual.

### Installation



Please refer to the dimensions of your rangehood shown in the diagram below.



For safety and performance of your rangehood, adhere to the minimum and maximum distances from the rangehood base to the cooktop surface when positioning the rangehood for installation.

For a complete installation guide, refer to user manual pages 10 & 11.

## We're on Socials!

 @esatto.house  @esatto.house

[www.esatto.house](http://www.esatto.house)

CSG V1.1