

esatto

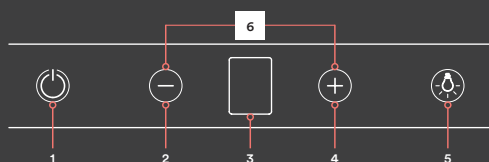
This little Quick Start Guide is everything you need to start capturing cooking odours & steam with your **ERCB90TB** 90cm Box Canopy Rangehood!



esatto

Get ready to use your ERCB90TB 90cm Box Canopy Rangehood!

The Controls



- 1 Power Button
- 2 Decrease Speed Button
- 3 Display
- 4 Increase Speed Button
- 5 Light Button
- 6 Delayed Power Off

To automatically power off your rangehood after 5 minutes, enter the Delayed Shutdown setting by long pressing the Decrease & Increase buttons together for 3 seconds. Once in the Delay Shutdown setting, the display will blink “1”, “2”, “3”.

For a complete guide on operating your rangehood, refer to user manual on page 13.

Get in Touch

Need help? Contact our friendly support team via the contact details below.

Phone / 1300 11 4357

Email / support@residentiagroup.com.au

Product Details

Dimensions (W, D, H mm) / 900 x 500 x 550-1040

Extraction / 750m³/hr

Warranty / 2 Years

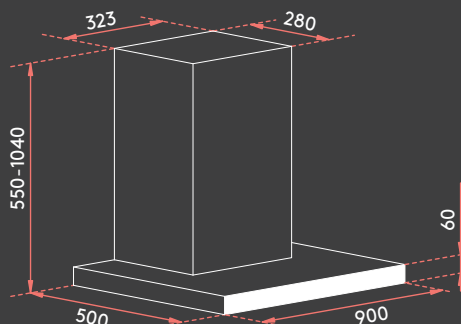
Register your Esatto product online for a free additional year esatto.house/warranty

Installation & First Use

Before installing your new 90cm Box Canopy Rangehood, please ensure you have read all safety instructions in the user manual.

Installation



Please refer to the dimensions of your rangehood shown in the diagram below.



For safety and performance of your rangehood, adhere to the minimum and maximum distances from the rangehood base to the cooktop surface when positioning the rangehood for installation.

For a complete installation guide, refer to user manual pages 10-12.

We're on Socials!

 @esatto.house  @esatto.house

www.esatto.house

QSG V1.2