

esatto

This little Quick Start Guide is everything you need to start capturing cooking odours & steam with your ERU90S 90cm Undermount Rangehood!



esatto

Get ready to use your ERU90S 90cm Undermount Rangehood!

The Controls



- 1 Power Button**
Press this button to turn off the fan.
- 2 Low Fan Speed Button**
Suitable for simmering and cooking without much steam.
- 3 Medium Fan Speed Button**
Ideal fan speed for regular cooking.
- 4 High Fan Speed Button**
Use this fan speed for heavy smoke or steam to achieve the maximum exhaust efficiency.
- 5 Light Button**
Press this button to turn the light on and off.

For a complete guide on operating your rangehood, refer to user manual on page 13.

Get in Touch

Need help? Contact our friendly support team via the contact details below.
Phone / 1300 11 4357
Email / support@residentiagroup.com.au

Product Details

Dimensions (W, D, H mm) / 900 x 296 x 254
Extraction / 750m³/hr
Warranty / 2 Years

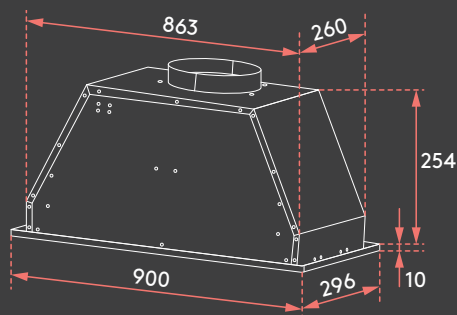
Register your Esatto product online for a free additional year esatto.house/warranty

Installation & First Use

Before installing your new 52cm Undermount Rangehood, please ensure you have read all safety instructions in the user manual.

Installation

Please refer to the dimensions of your rangehood shown in the diagram below.



For safety and performance of your rangehood, adhere to the minimum and maximum distances from the rangehood base to the cooktop surface when positioning the rangehood for installation.

For a complete installation guide, refer to user manual pages 10 & 11.

We're on Socials!

@esatto.house @esatto.house

www.esatto.house