

Model Code:
ECGW60S

Product:
**60cm Stainless Steel
Gas Cooktop**

Accessories:

Regulator
LPG Conversion Kit
LPG Test Point

Features:

4 burners including Wok
Italian made Defendi
burners
304 grade stainless steel
Electronic under-knob ignition
Cast iron trivets
Metal control knobs

Burner Outputs (MJ):

Triple ring wok burner:
→ 1 × 6.3-14.4 MJ/hr
Semi-rapid burners:
→ 2 × 3.24-6.5 MJ/hr
Auxiliary burner:
→ 1 × 1.8-3.8 MJ/hr

Cleaning:

Single press steel hob
Heavy duty 304 grade stain-
less steel
Easy to clean black glass
insert under control knobs
Removable control knobs

Safety:

Flame failure safety device
Side located control knobs

Product Dimensions:

Packaged (w, d, h mm)
→ 645 × 543 × 136mm
Physical (w, d, h mm)
→ 580 × 500 × 40mm
Weight:
→ 12kg

Esatto

Requirements:

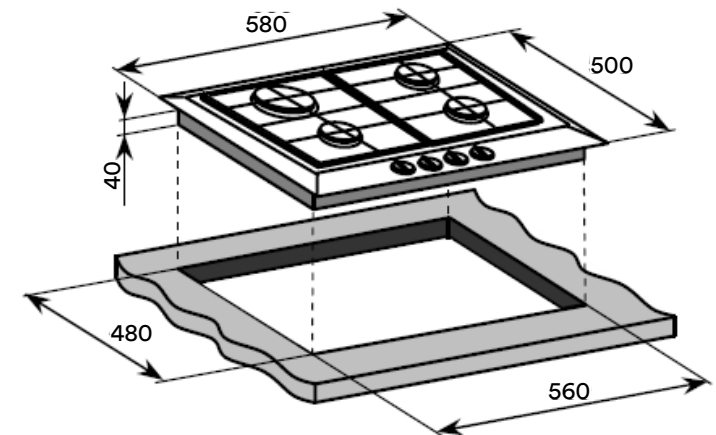
Rated Voltage: 220-240V,
50-60 Hz
Current requirements: 3A
Supplied with 10 amp plug

Warranty:

24 Months



↑ Product



↑ Installation