

Model Code:

EO64M.1

Product:

60cm Fan-Forced Oven —5 Function

Features:

65 litre capacity

Stainless steel & glass finish

120 minute minder timer

Cavity cooling system

Cooking modes:

5 cooking functions:

→ Fan Forced

→ Grill

→ Grill with fan

→ Defrost

→ Light

Cleaning:

Easy to remove inner door glass

Easy to remove door with quick release hinges

Oven interior features easy to clean enamelling

Easy to remove, heavy duty chrome side racks

Accessories:

Enamelled baking tray

Chrome baking tray insert

Chrome shelf with safety lock

Safety:

Triple glazed door

Product Dimensions:

Packaged (w, d, h mm)

→ 620 × 620 × 580

Physical (w, d, h mm)

→ 595 × 575 × 595

Weight:

→ 42kg

Esatto

Requirements:

Supplied with 15 amp plug

Maximum Power:

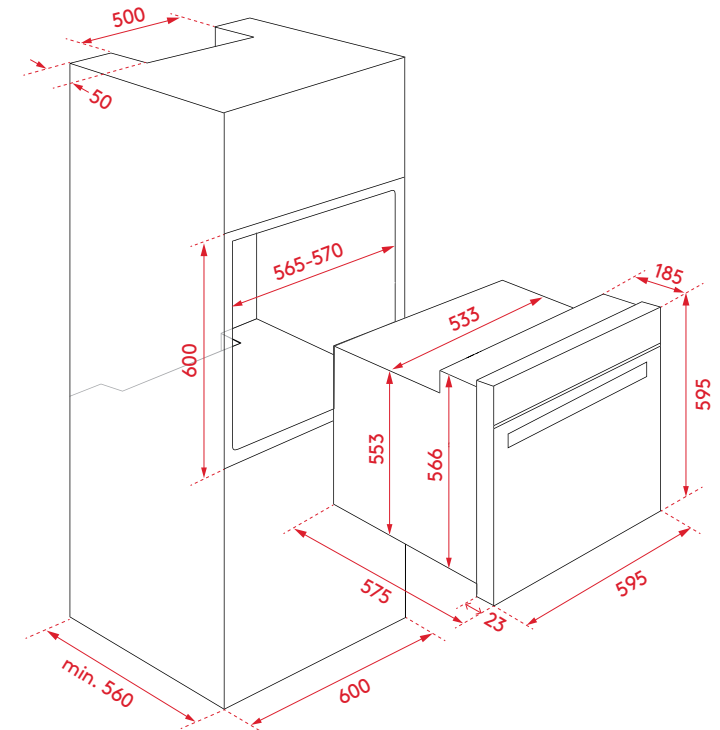
→ 3.1kW

Warranty:

24 Months



↑ Product



↑ Installation